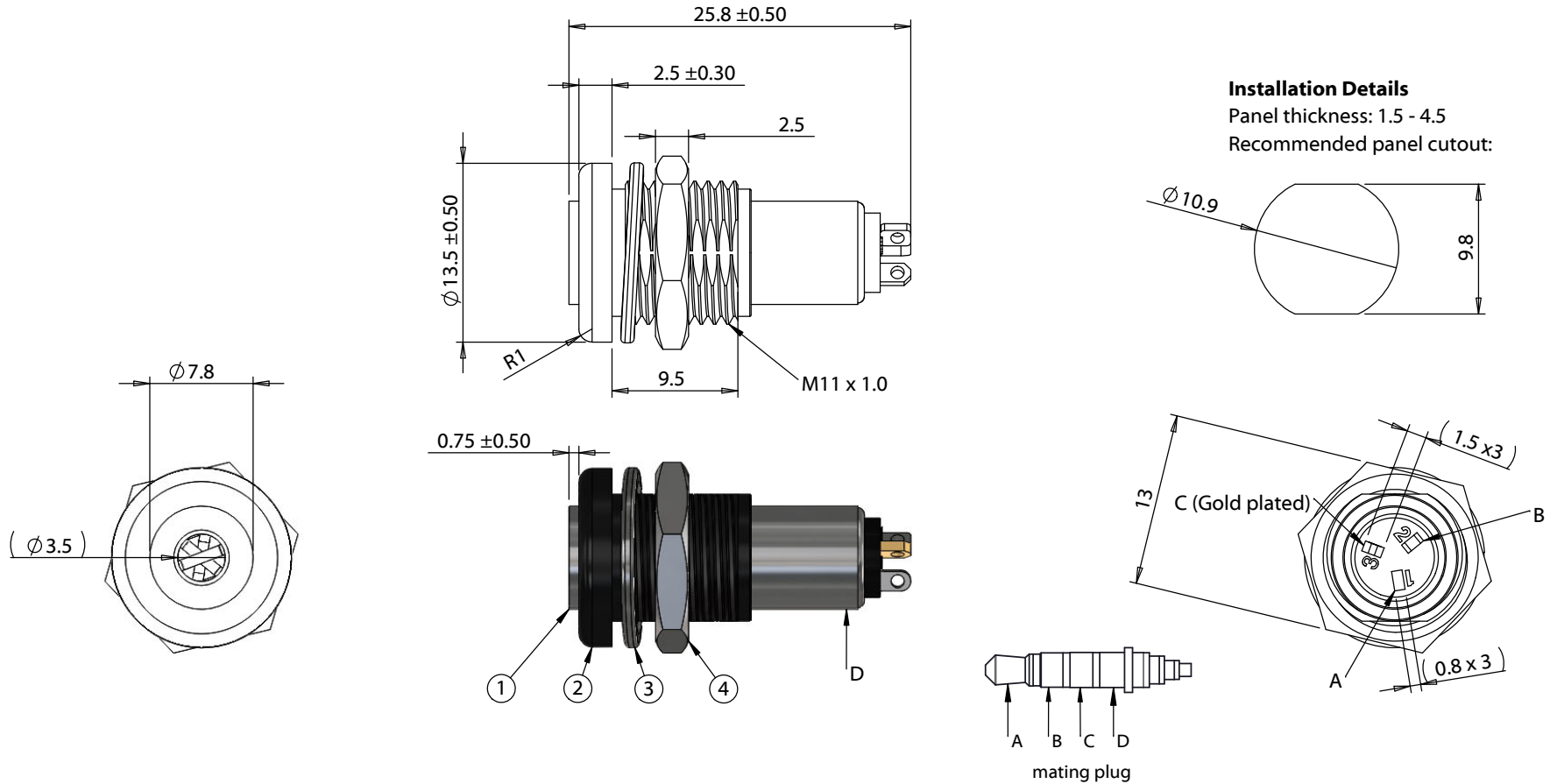


ITEM NO.	PART NUMBER	DESCRIPTION	QTY.	COMPONENT NOTES
1	50-00041	Connector, 4C audio jack, 3.5x7.8xL25.8 mm, brass, nickel plated, molding style	1	
2	24-00287	Overmold, jack, 13.5x14 mm, panel mount	1	Nylon 94V-0, black
3	56-00001	Hardware, washer, lock, 14x11.1x1.1 mm, SPCC, nickel plated	1	
4	56-00000	Hardware, nut, hex, 13x2.5 mm, M11x1.0, brass, nickel plated	1	



Revision:	Date:	Description:	Prepared:	Notes:	<h1>TENSILITY</h1> <p>tel 1.541.323.3228 800 877.670.7118 fax 1.541.323.4202 web tensility.com</p>
A	11/12/2019	Initial release	Verified:	RoHS compliant	
			Dimensions are in millimeters. Tolerances: X: ± 0.3 mm X.X: ± 0.1 mm X.XX: ± 0.05 mm	Function test: no open, no short circuit, no intermittent	
				Description: Connector, 4C audio jack, 3.5x7.8x25.8 mm, panel mount, threaded, nut and washer	
Scale: 2:1		Part number: A 54-00173		Sheet 1 of 1	

5

4

3

2

1