

INTERCONNECTS

SERIES 310, 311, 315 • .100" GRID SOLDER TAIL • SINGLE ROW STRIPS

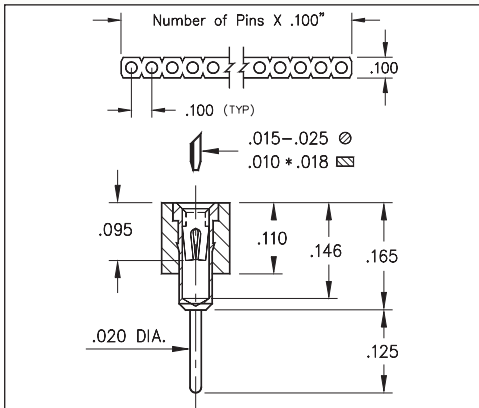


FIG. 1

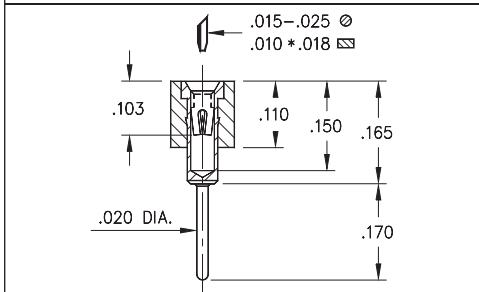


FIG. 2

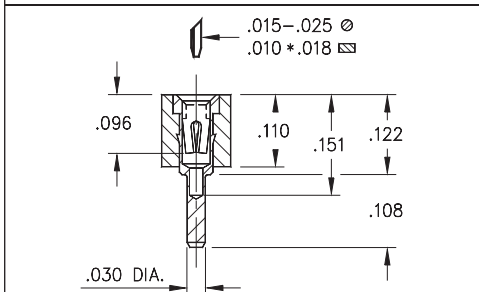


FIG. 3

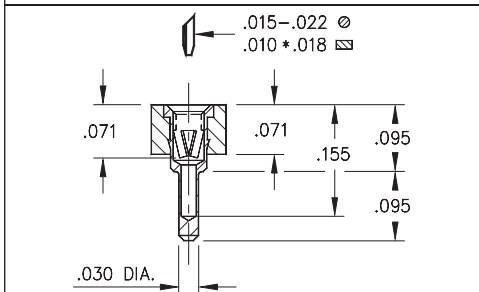
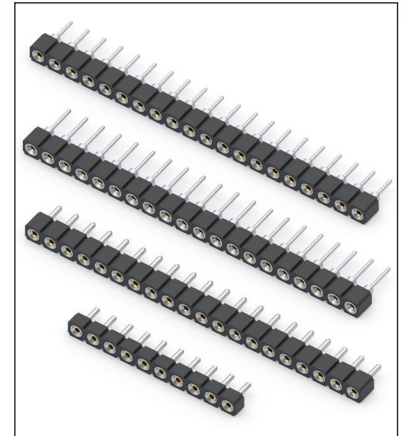


FIG. 4

- SIP sockets accept .015 - .025" diameter pins and standard IC leads
- Various solder tails available: standard length, long for multi-layer boards, very low and ultra low profile. See Mill-Max #1001, #0134, #0501 or #1534 pins. See pages 161, 162 and 165 for details
- Hi-Rel, 4-finger BeCu #12 and #30 contact are rated at 3 amps. See pages 252 and 253 for details
- Insulators are high temperature thermoplastic, suitable for all soldering operations



ORDERING INFORMATION

	Series 310...001	Standard Solder Tail
FIG. 1	310-XX-1	-41-001000 Specify number of pins → 01-64
FIG. 2	311-XX-1	-41-001000 Specify number of pins → 01-64
FIG. 3	315-XX-1	-41-001000 Specify number of pins → 01-64
FIG. 4	315-XX-1	-41-003000 Specify number of pins → 01-64



XX=Plating Code
See Below

For
Electrical, Mechanical
& Environmental Data,
See page 264

SPECIFY PLATING CODE XX=	11	13	91	93	99	41	43	44	47
Sleeve (Pin)	10 μ " Au	10 μ " Au	200 μ " Sn/Pb	200 μ " Sn/Pb	200 μ " Sn/Pb	200 μ " Sn	200 μ " Sn	200 μ " Sn	200 μ " Sn
Contact (Clip)	10 μ " Au	30 μ " Au	10 μ " Au	30 μ " Au	100 μ " Sn/Pb	10 μ " Au	30 μ " Au	100 μ " Sn	Au Flash

★ 41 & 91 Platings Non-Standard

