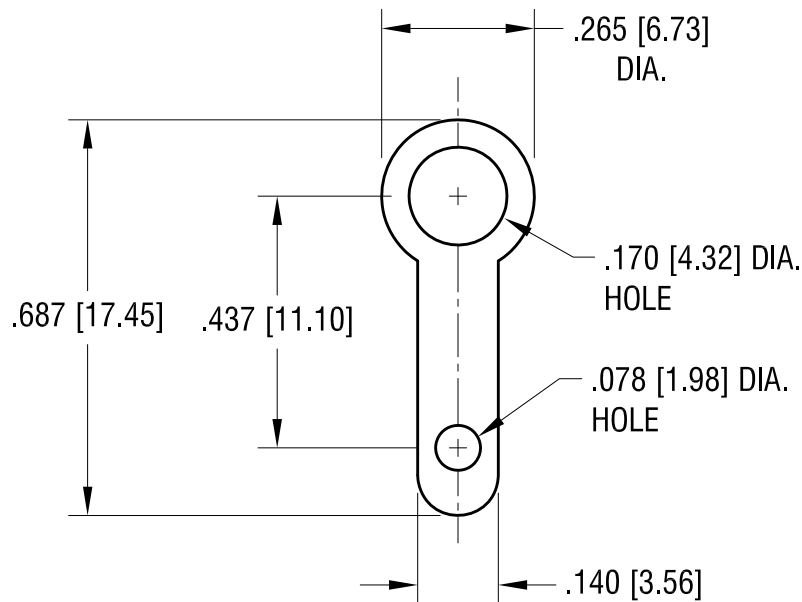
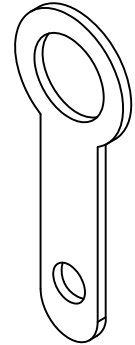


THIS DOCUMENT IS THE PROPERTY OF  
KEYSTONE ELECTRONICS CORP. AND  
SHALL NOT BE REPRODUCED, DISTRIBUTED  
OR USED AS A BASIS FOR MANUFACTURE  
WITHOUT PRIOR WRITTEN PERMISSION  
FROM KEYSTONE ELECTRONICS CORP.



**KEYSTONE ELECTRONICS CORP.**

www.keyelco.com • ASTORIA, N.Y. 11105-2017 • Tel (718) 956-8900

PART NAME

SOLDER TERMINAL LUG

MATERIAL

.020 [0.50] TH'K BRASS

FINISH

MATTE TIN PLATE

DRN BY

BOONE

DATE

3.15.84

APP'D

LN

SCALE

3X

TOLERANCES

INCH [MM]

DECIMAL

$\pm .005$  [ $\pm 0.15$ ]

ANGULAR

$\pm 1^\circ$

UNLESS OTHERWISE SPECIFIED

CODE

C

DWG NO.

7327

6.25.09

CHANGE AS PER ECN 09-082

B

1.9.08

CHANGE AS PER ECN 08-041

A

DATE

DESCRIPTION

REV.