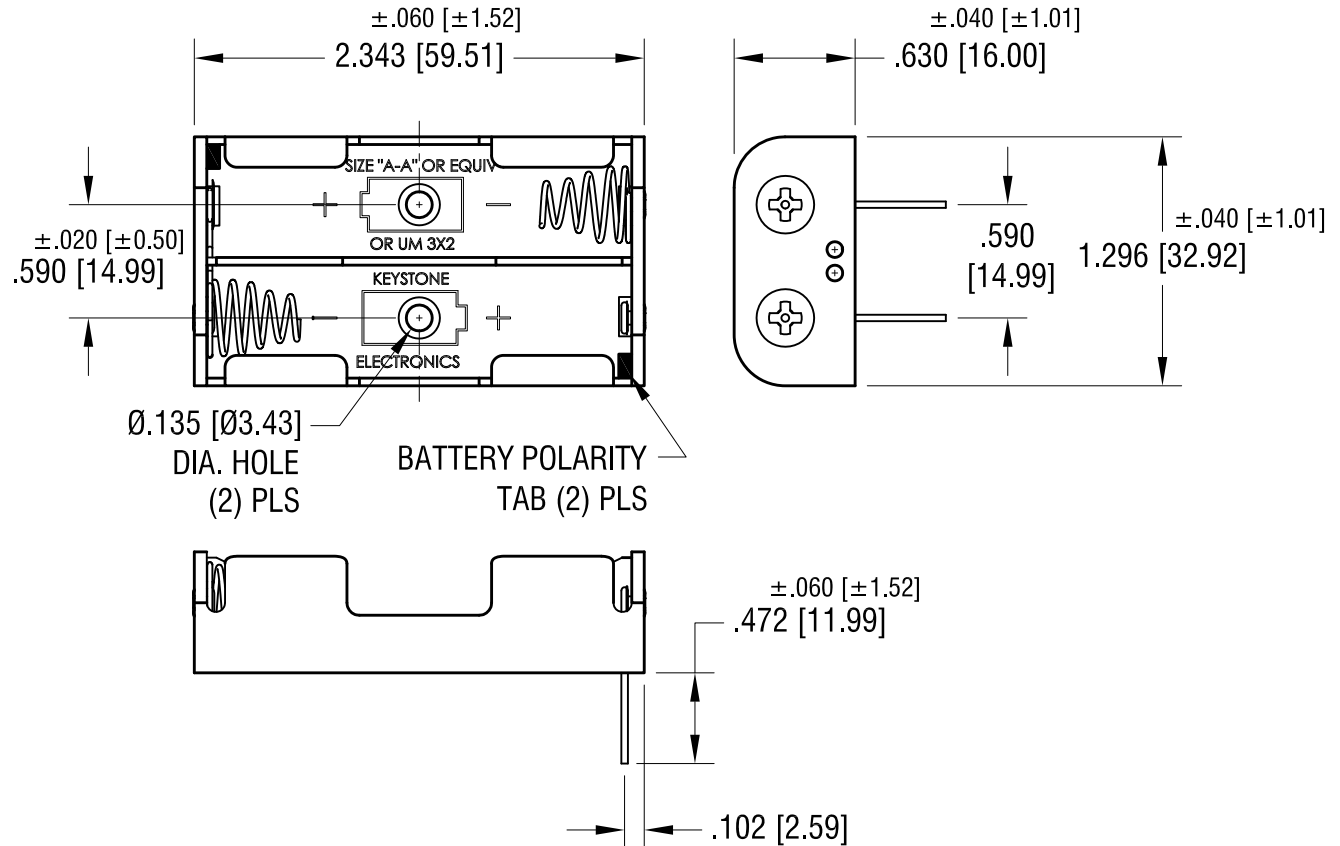
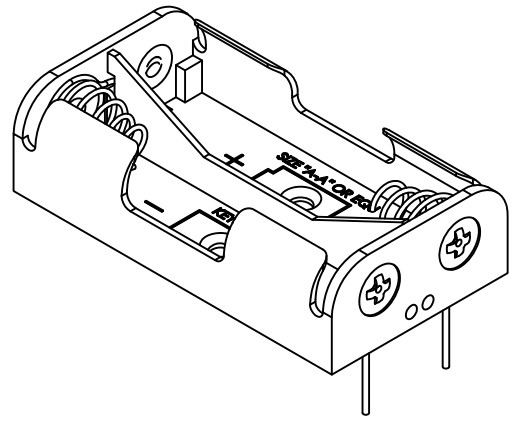
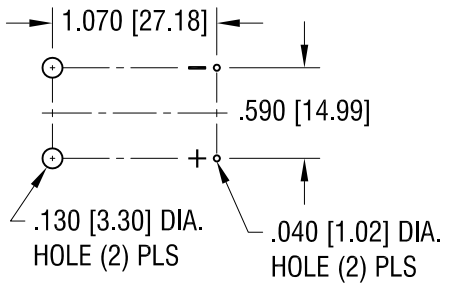


THIS DOCUMENT IS THE PROPERTY OF KEYSTONE ELECTRONICS CORP. AND SHALL NOT BE REPRODUCED, DISTRIBUTED OR USED AS A BASIS FOR MANUFACTURE WITHOUT PRIOR WRITTEN PERMISSION FROM KEYSTONE ELECTRONICS CORP.

MOUNTING DETAIL



NOTE:

- 1. HOLDER: MAT'L: POLYPROPYLENE
- SPRING: MAT'L: MUSIC WIRE, .025 [0.63] DIA.
- PC TERMINALS: MAT'L: BRASS, .032 [0.81] DIA.

7.24.12	CHANGE AS PER ECN 12-094	G
11.10.11	CHANGE AS PER ECN 11-153	F
6.12.09	CHANGE AS PER ECN 09-066	E
5.02.06	CHANGE AS PER ECN 06-025	D
DATE	DESCRIPTION	REV.

KEYSTONE ELECTRONICS CORP.			
www.keyelco.com • NEW HYDE PARK, NY 11040 • Tel (516) 328-7500			
PART NAME		PC BATTERY HOLDER (2) 'AA'	
MATERIAL			
AS NOTED			
FINISH		DRN BY	DATE
NICKEL PLATE		BOONE	10.11.95
		APP'D	SCALE
		LN	1X
TOLERANCES		INCH	[MM]
DECIMAL		± .005	[± 0.13]
ANGULAR		± 1°	
UNLESS OTHERWISE SPECIFIED			
CODE	DWG NO.		
C	2462		