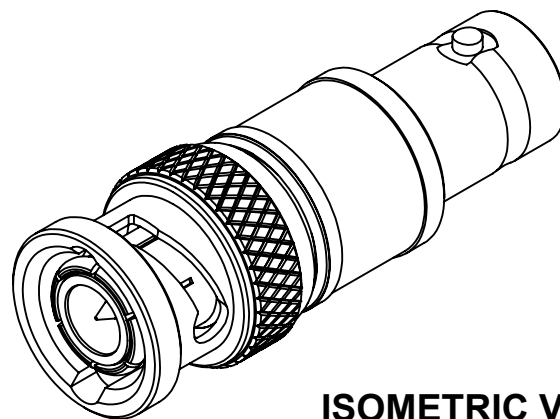
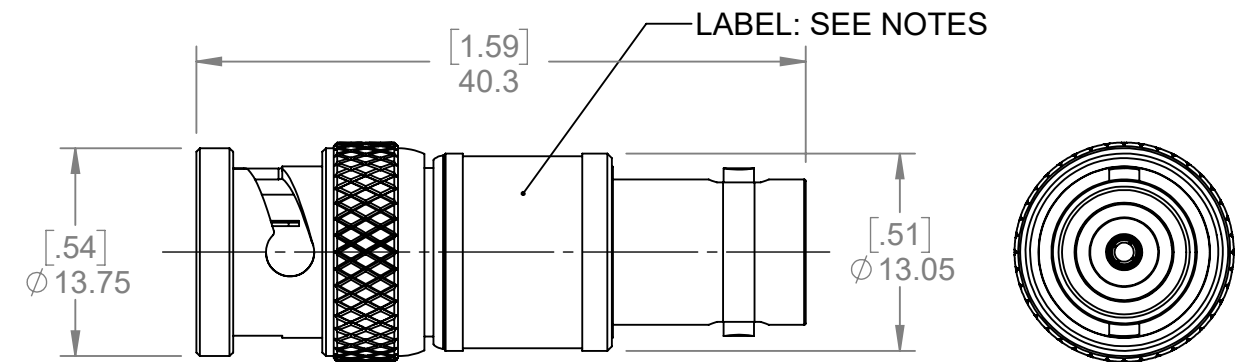
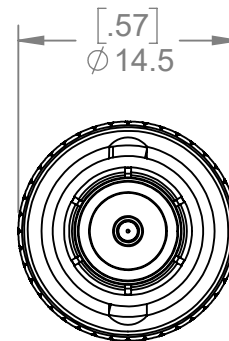


THIS IS ISSUED IN STRICT CONFIDENCE THAT IT IS NOT USED AS A BASIS FOR MANUFACTURE OR SALE AND THAT IT IS NOT COPIED, REPRINTED OR DISCLOSED TO A THIRD PARTY EITHER WHOLLY OR IN PART WITHOUT THE PRIOR WRITTEN CONSENT OF CAL TEST ELECTRONICS, INC.

REVISIONS			
REV.	DESCRIPTION	DATE	APPROVED
A	CLASS A RELEASED	1/14/2019	

- NOTES:**
- MATERIAL:**
 - BODY, COUPLING NUT & MALE CONTACT: BRASS
 - FEMALE CONTACT: BECU
 - DIELECTRIC: PTFE
 - GASKET: SILICONE RUBBER
 - PLATING:**
 - COUPLING NUT & SHELL: NICKEL PLATED
 - FEMALE BODY & CENTER CONTACTS: GOLD PLATED
 - MARKING LABEL:**
 - "50 Ω FEED-THRU TERMINATOR 1 GHZ / 2 W CT2944C-50 MADE IN TAIWAN"
 - WHITE LETTERS ON BLACK BACKGROUND
 - SPECIFICATIONS:**
 - IMPEDANCE: 50 Ω ±0.35 Ω
 - FREQUENCY RANGE: 1 GHZ
 - VSWR MAX.: ≤1.10:1 DC TO 500 MHZ / ≤1.20:1 500 MHZ TO 1 GHZ
 - POWER: 2 W (AVG) @ 25°C DERATED LINERALLY TO 0.5 W @ 125°C
 - INPUT VOLTAGE: <10 V DC . 20 V P-P AC
 - ACCURACY: 0.7%
 - OPERATING TEMPERATURE: 0°C TO +125°
 - ROHS 2: COMPLIANT



ISOMETRIC VIEW

CT2944C-50	50 OHM, FEED-THRU TERMINATOR	-
PART NUMBER	CONFIGURATION	NOTES / REFERENCE
PART NUMBER TABLE		

METRIC	UNLESS OTHERWISE SPECIFIED DIMENSIONS ARE IN MILLIMETERS TOLERANCES ARE: PER DIN ISO 2768m		PROJECT NO. A535		Cal Test Electronics 22820 Savi Ranch Parkway Yorba Linda, CA 92887	
	DO NOT SCALE DRAWING		APPROVALS	DATE		
THIRD ANGLE PROJECTION	MATERIAL SEE NOTES	DRAWN WDH	CHECKER B.Hansen	1/14/2019	TERMINATOR, BNC FEED-THRU, 1 GHZ, 2 W	
	TREATMENT N/A	ENGR. NONE	DESIGN ACTIVITY NONE			
	FINISH SEE NOTES				DWG. NO. P2944C0	REV. A
			SCALE 2:1	P2944C0rA_drawing		SHEET 1 OF 1

Mouser Electronics

Authorized Distributor

Click to View Pricing, Inventory, Delivery & Lifecycle Information:

[Cal Test Electronics:](#)

[CT2944C-50](#)