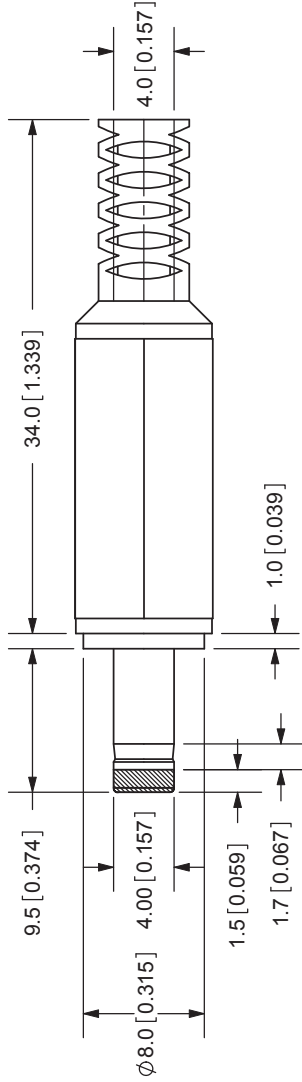


REV.	DESCRIPTION	DATE
A	NEW DRAWING	5/15/2006



TOLERANCE:
 X.X ±0.2mm
 X.XX ±0.1mm
 X.XXX ±0.05mm

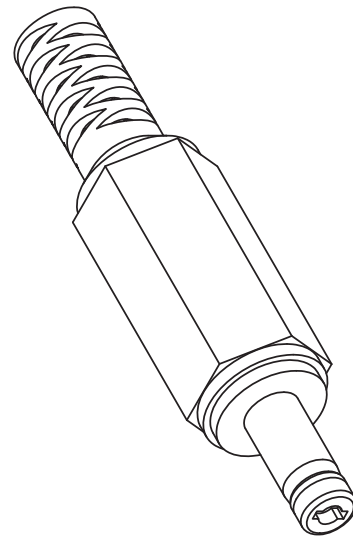


CUI INC

20050 SW 112th Ave.
 Tualatin, OR 97062
 Phone: 503-612-2300
 800-275-4899
 Fax: 503-612-2383
 Website: www.cui.com

SPECIFICATIONS:
 RATING: 24V DC @ 5A
 OPERATING TEMP: 0° ~ +40°C

TITLE: DC POWER PLUG	REV: A
PART NO: PP-013	UNITS: MM [INCHES]
DRAWN BY: ZRJ	APPROVED BY:
MATERIAL	PLATING
COVER: PVC	Black Color
BARREL: Brass	Nickel
TERMINALS: Brass	Nickel
TIP INSULATOR: POM	Yellow Color



PC FILENAME: PP-013

COPYRIGHT 2007 BY CUI INC.

SCALE: 2:1