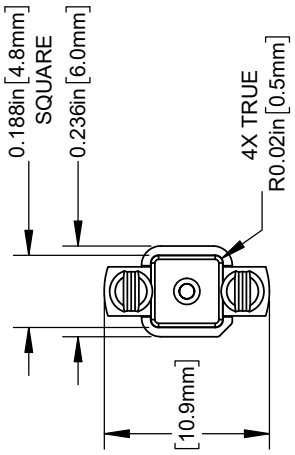
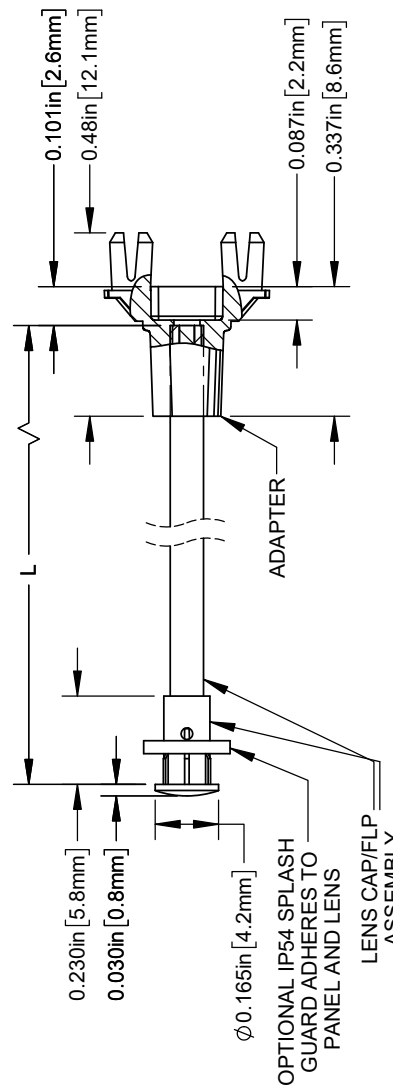


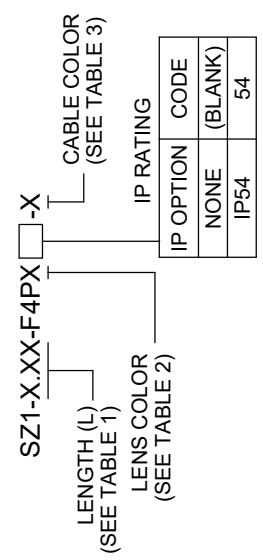
REVISIONS		
REV.	DESCRIPTION	DATE
A	Engineering Release	08/21/2019
		APPROVED
		A.V.

- NOTES:
1. ALLOWABLE FLEXIBLE LIGHT PIPE CUT LENGTH AVAILABLE IN INCREMENTS OF 0.05".
  2. MINIMUM BEND RADIUS OF FLEXIBLE LIGHT PIPE: 0.87" [22mm].
  3. COMPONENTS SHIPPED NON-ASSEMBLED.
  4. SEE SHEET 2 FOR DETAILED ASSEMBLY INSTRUCTIONS TO ACHIEVE OPTIMUM FUNCTION OF SPLASH GUARD

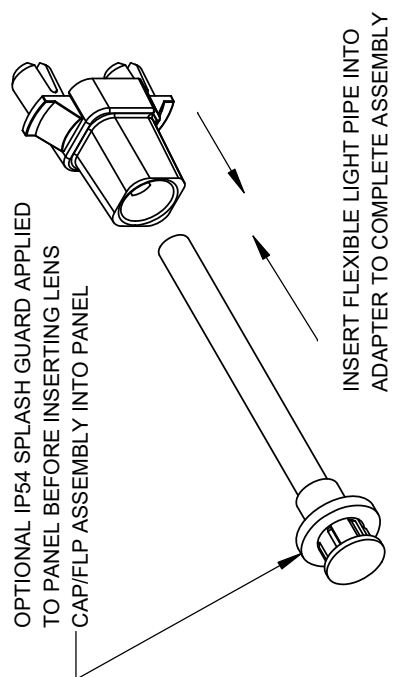
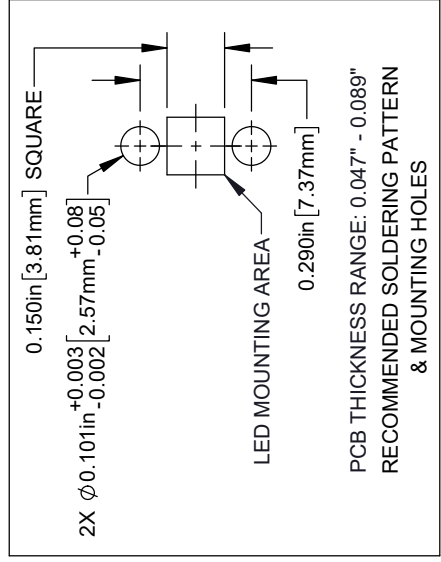
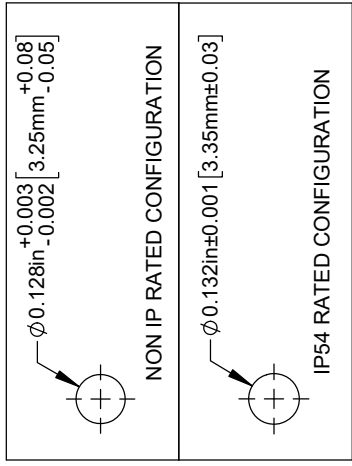


**PART NUMBER CONFIGURATOR**

SEE SHEET 2 FOR ORDERING INFORMATION



**RECOMMENDED LENS MOUNTING HOLE**



**CUSTOMER USE DRAWING**

STANDARD TOLERANCE (UNLESS OTHERWISE SPECIFIED)	DESIGNED BY	DATE	DESIGNED BY	DATE
DECIMALS	K. BARON	08/21/19	K. BARON	08/21/19
ANGULAR	N/A	N/A	N/A	N/A
X° ± 1°				
.XX ± .02				
.XXX ± .010				
TITLE: FLP ASSEMBLY WITH FIRM RETENTION ADAPTER, LC	DRAWING NO.: SZ1-X-XX-F4PX-X	SHEET NO.: A	CAGE CODE: 32559	SHEET # 1 OF 2
REVISION:				
CHECKED: A. VALDEZ	SCALE: 2:1	DATE: 08/21/19		

**BIVAR**  
 4 THOMAS, IRVINE, CA. 92618  
 TEL: (949) 951-8808 FAX: (949) 951-3974

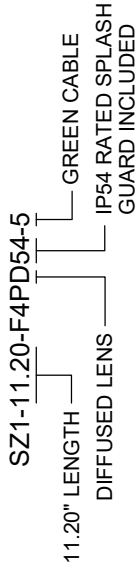
TABLE 1 - LENGTH	
LENGTH (L)*	TOLERANCE
1.00" - 16.00"	±0.05"
16.05" - 40.00"	±0.15"
40.05" - 80.00"	±0.30"
80.05" - 3,940.00"	±0.5%

\*AVAILABLE IN 0.05" INCREMENTS

TABLE 2 - LENS	
ORDER CODE	LENS APPEARANCE
(BLANK)	CLEAR
D	DIFFUSED
S	SMOKED
BE	TINTED BLUE
GN	TINTED GREEN
RD	TINTED RED
YW	TINTED YELLOW

TABLE 3 - CABLE	
ORDER CODE	CABLE COLOR
(BLANK)	BLACK
2	RED
4	YELLOW
5	GREEN
6	BLUE
9	WHITE

SAMPLE PART NUMBER:



**ASSEMBLY INSTRUCTIONS TO ACHIEVE OPTIMUM FUNCTION OF SPLASH GUARD:**

- CLEAN PANEL SURFACE AROUND MOUNTING HOLE WITH ALCOHOL
- PEEL LINER OFF TOP OF THE SPLASH GUARD WHILE KEEPING SPLASH GUARD ON PLASTIC ROLL
- APPLY SPLASH GUARD TO PANEL HOLE AS CENTERED AS POSSIBLE AND PEEL PLASTIC LINER SLOWLY AWAY
- INSERT LIGHT PIPE INTO PANEL UNTIL SPLASH GUARD MATERIAL IS COMPRESSED BETWEEN LENS AND PANEL
- HOLD FOR A FEW SECONDS TO ENSURE ENTIRE SPLASH GUARD ADHERES TO PANEL AND LENS FLANGE SURFACE

**CUSTOMER USE DRAWING**



CAGE CODE: <b>32559</b>	DRAWING NO: SZ1-X-XX-F4PX-X	REVISION: <b>A</b>
	SHEET SIZE: <b>A</b>	SCALE: 2:1 SHEET # 2 OF 2 CAD GENERATED DOCUMENT, DO NOT MEASURE DRAWING