

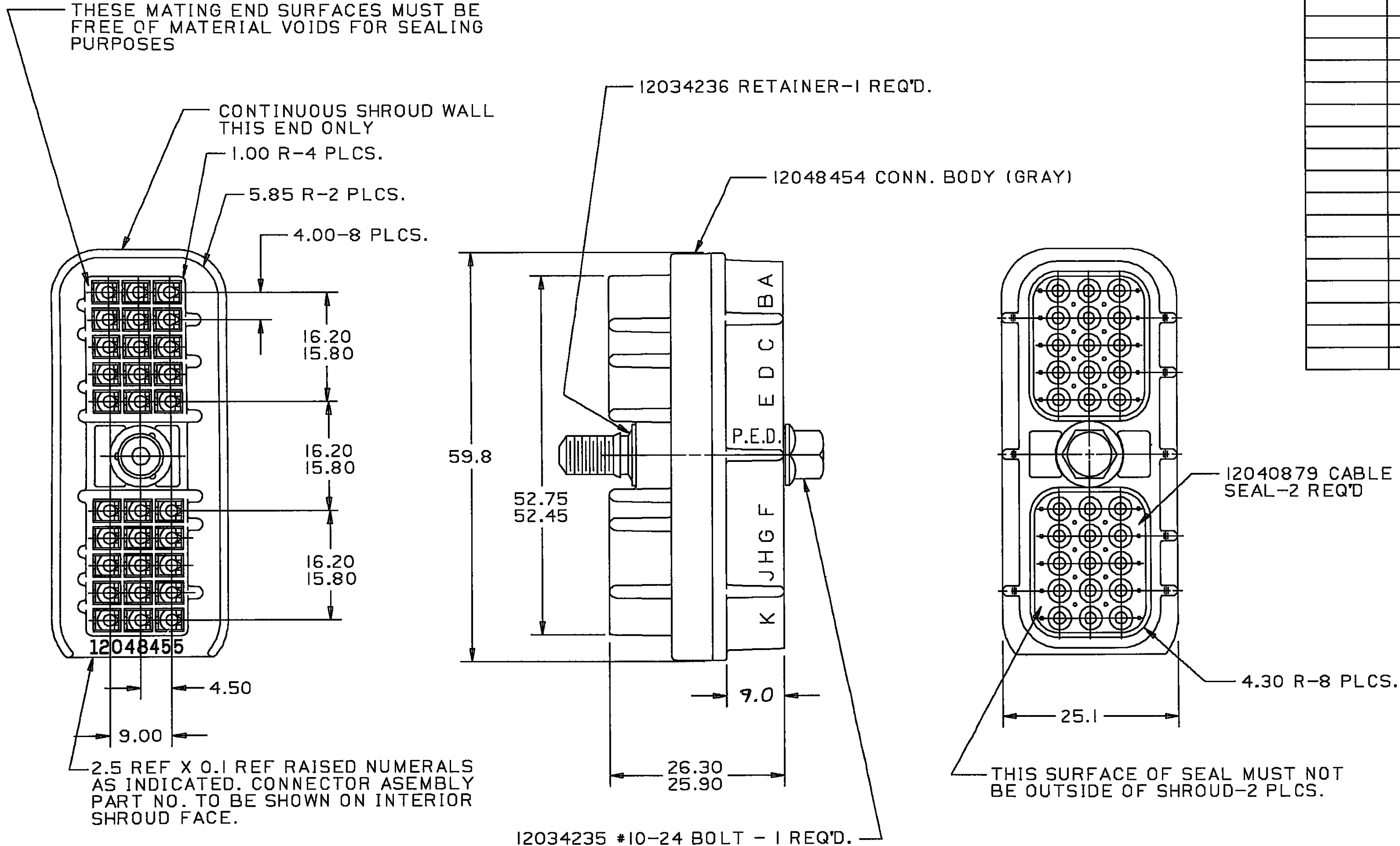
D

THIS DRAWING AND DESIGN HEREON CONSTITUTES A PROPRIETARY DESIGN OF PACKARD ELECTRIC DIVISION AND IS NOT TO BE DUPLICATED OR REPRODUCED WITHOUT AUTHORITY OF PACKARD ELECTRIC DIVISION.

DO NOT SCALE

DATE	SYM	REVISION RECORD	AUTH	DR	CK
31JL84	A	RELEASED	84005		FH
15SE87	-	ADDED NOTE #7	115653	TBD	JM
03JA94	A1	9.0 WAS 8.5	158294	GY	GH
24OC05	A2	OBSOLETE	273824	JT	JA

PACKARD ELECTRIC DIVISION
GENERAL MOTORS CORPORATION
WARREN, OHIO



OBSOLETE

DRAWING NO.
1204 8455

C06D2351

TECHNICAL SERVICE		THIRD ANGLE PROJECTION	
<p>METRIC DIMENSIONS ARE IN MILLIMETERS UNLESS OTHERWISE SPECIFIED</p>			
<p>CODE NO. 6900</p>	<p>TOLERANCE UNLESS OTHERWISE SPECIFIED</p>		
<p>QC-C-5122</p>	<p>DECIMAL: ONE PLACE ±0.2 TWO PLACE ±0.10</p>	<p>ANGULAR ±2°</p>	
<p>DWG. DATE 31JL84</p>	<p>SCALE NONE</p>	<p>DR.</p>	<p>CK. F.HESTON DATE 08AU84</p>
<p>CD.A.12048455</p>	<p>APPR. E.BUNGO DATE 29AU84</p>	<p>APPR. J.CHUPAK DATE 29AU84</p>	<p>MATERIAL SPEC. SEE DRAWING</p>
<p>NAME ASM CONN 30F M/P 150 P2S</p>			
<p>PART NO. 1204 8455</p>		<p>SIZE C</p>	<p>PACKARD ELECTRIC</p>

- NOTES**
1. CAVITIES TO ACCEPT 12047680 TERMINAL OR EQUIVALENT.
 2. MATING CONNECTOR 12048453 OR EQUIVALENT.
 3. THIS PART IS NOT CONTROLLED FOR AUTOMATIC FEEDING.
 4. BOLT TO BE RETAINED IN ASSEMBLY TO A MIN. 400 N.
 5. RECOMMENDED MATING TORQUE: 0.8 N-M TO 1.5 N-M.
 6. BOLT MUST ROTATE IN CONNECTOR AT A TORQUE OF LESS THAN 0.6 N-M AFTER RETAINER IS ASSEMBLED.
 7. SEALING CODE 3.

Mouser Electronics

Authorized Distributor

Click to View Pricing, Inventory, Delivery & Lifecycle Information:

[Aptiv:](#)

[12048455](#)