

SECTION: A-A

NOTE:

- 1.MATERIAL SPECIFICATION:
  - 1.1. HOUSING:HIGH TEMPERATURE THERMOL PLASTIC,UL94 V-0. BLACK
  - 1.2. TERMINAL:COPPER ALLOY
  - 1.3. MID-PLATE: STAINLESS STEEL
  - 1.4. FRONT SHELL: STAINLESS STEEL
- 2.PLATING SPECIFICATION:
  - 2.1. CONTACTS:
    - Ni 50u" MIN. UNDER PLATED OVER ALL.
    - Au SEE TABLE PLATED ON THE FUNCTIONAL AREA OF CONTACT.
    - SOLDER AREA PLATING Tin.
  - 2.2. FRONT SHELL:
    - Ni 30u" MIN. UNDER PLATED OVER ALL.
  - 2.3. MID-PLATE:
    - CLEAR ONLY
- 3.MECHANICAL PERFORMANCE,
  - 3.1. MATING FORCE : 0.5~2.0kgf.
  - 3.2. UNMATING FORCE: 0.8kgf~2.0kgf.
  - 3.3. DURABILITY: 10000 CYCLES.
- 4.ELECTRICAL PERFORMANCE,
  - 4.1. VOLTAGE RATING:20 V DC/AC (RMS. max)
  - CURRENT RATING:3 AMPS.
  - 4.2. LLCR:
    - VBUS & GND PINS AND OTHER PINS: 40mΩ/PIN MAX.
    - SHIELD: 50mΩ/MAX.
    - LLCR MAX. CHANGE OF ALL PINS: 10mΩ.
  - 4.3. INSULATION RESISTANCE: 100MΩ MIN
  - 4.4. DIELECTRIC WITHSTAND VOLTAGE,AC 100V FOR 1 MINUTE.
- 5. ENVIRONMENTAL PERFORMANCE:
  - OPERATING TEMPERATURE: -25°C~+85°C.
- 6. IR REFLOW:
  - THE PEAK TEMPERATURE ON THE BOARD SHALL BE MAINTAINED FOR 10 SECONDS AT 260°C.

PART NUMBER DESCRIPTION:

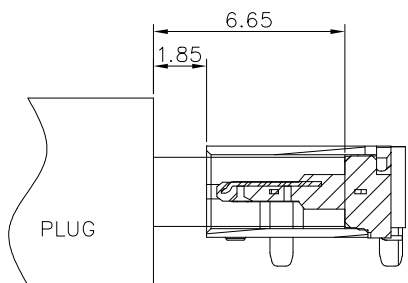
10164359-000 X X LF

- LEAD FREE
- PACKAGING
  - 1. TAPE AND REEL
- CONTACT PLATING
  - 1. GOLD FLASH
  - 2. 15u" AU
  - 3. 30u" AU
- RESERVE CODE



© 2016 AFCI

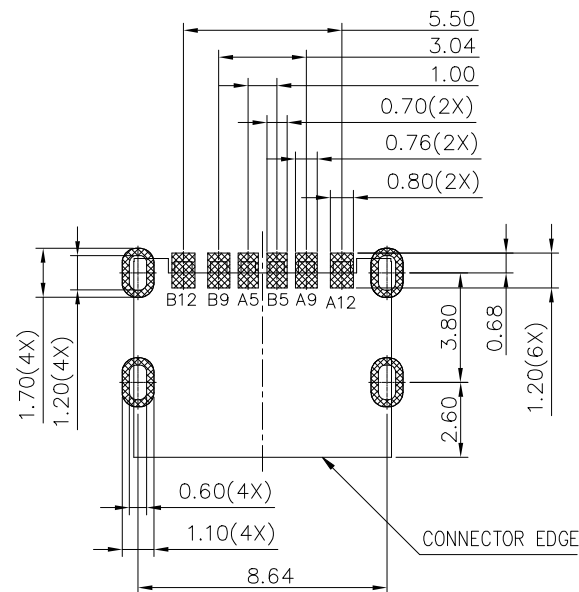
mat'l. code		surface ISO 1302 ✓		tolerance ISO 406 ISO 1101		projection		product family	
ltr		ecn no dr		date		tolerances unless otherwise specified		HPL 511	
A		- YY		2022/03/10		.0±.35		title	
						.00±.25		USB TYPE C RECEPTACLE	
						0°±2°		R/A SMT TYPE 6PIN	
						.000±.15		dwg no	
						mm		sheet 1 of 3	
						scale 1:1		size	
						Amphenol FCI		10164359	
								A3	
								type Product Customer Drawing	
sheet index		revision sheet							



AFTER MATING

PIN ASSIGNMENTS

PIN	SIGNAL NAME	PIN	SIGNAL NAME
A5	CC1	B12	GND
A9	VBUS	B9	VBUS
A12	GND	B5	CC2

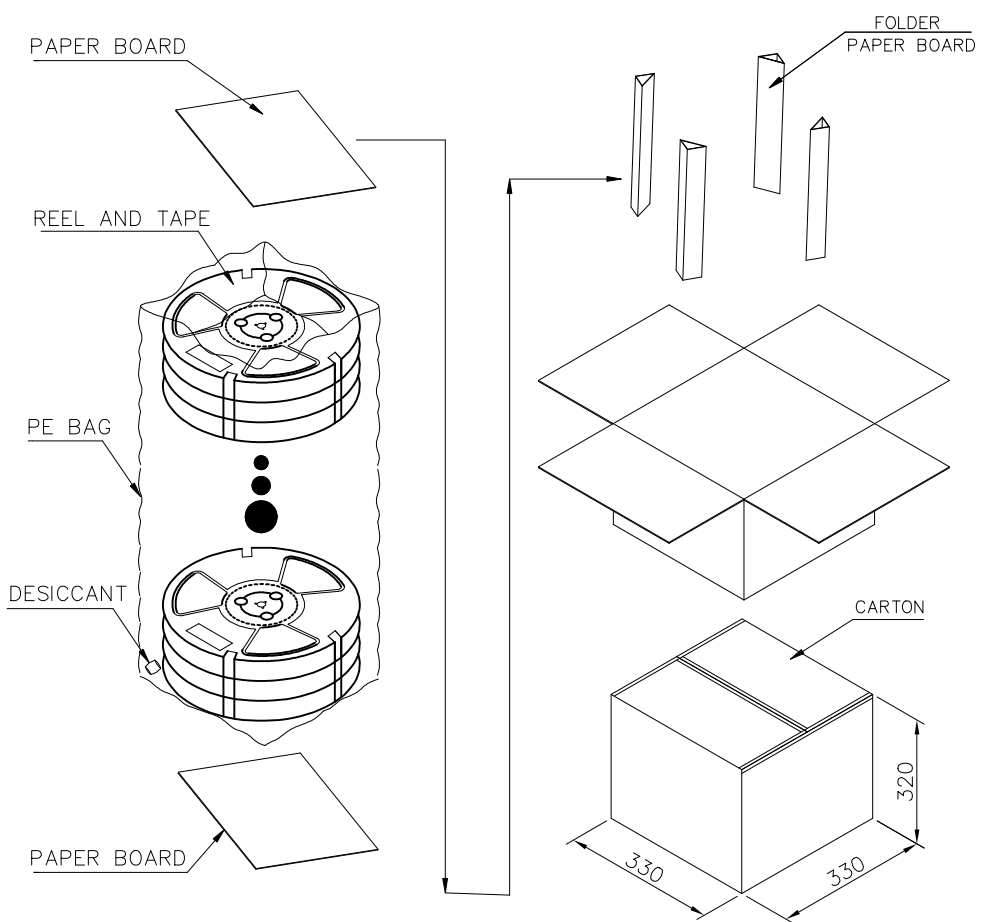
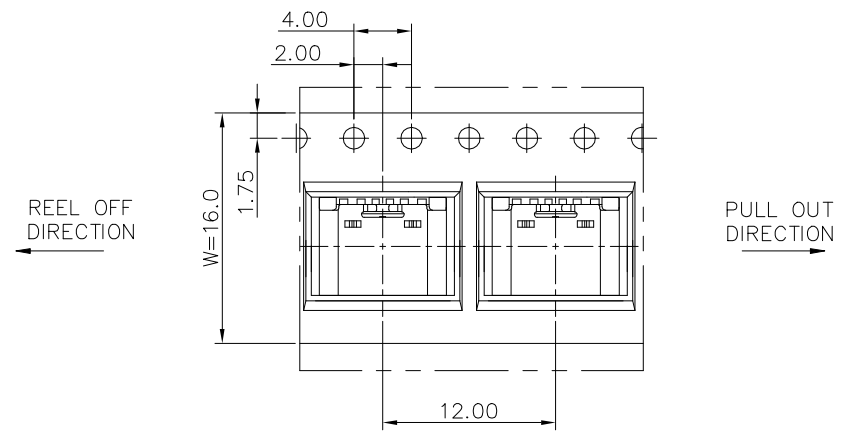
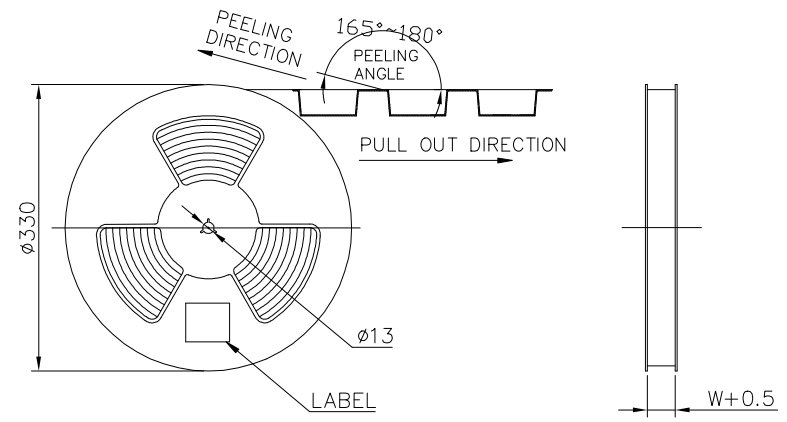
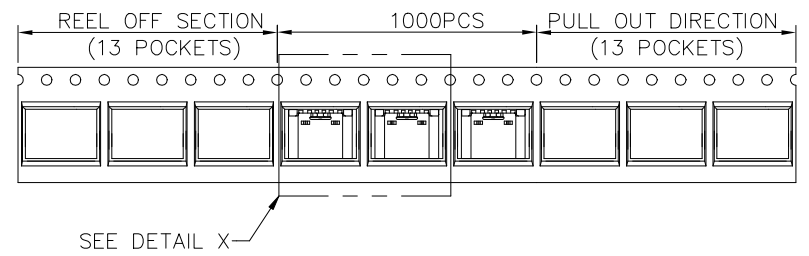


RECOMMENDED PCB LAYOUT(TOP VIEW)

DEFAULT TOLERANCE: ±0.05

mat'l. code		surface	tolerance	projection	product family
		ISO 1302 ✓	ISO 406 ISO 1101	1101	HPL 511
ltr	ecn	no	dr	date	title
A					USB TYPE C RECEPTACLE R/A SMT TYPE 6PIN
		angles	linear	mm	scale 1:1
		0°±2°	.0±.35 .00±.25 .000±.15		
dr	Y-Y	Bao	2022/03/10		dwg no
engr	Y-Y	Bao	2022/03/10		sheet 2 of 3
chr	L-Q	Lei	2022/03/10		size
appd	Tim	Yao	2022/03/10		A3
sheet index	revision sheet				type Product Customer Drawing





	REEL	CARTON
CONNECTOR (PCS)	1000	16000

mat'l. code		surface	tolerance	projection	product family	
ISO 1302		ISO 406	ISO 1101	HPL 511		
tolerances unless otherwise specified		mm		title		
angles		linear		USB TYPE C RECEPTACLE		
0°±2'		.0±.35		R/A SMT TYPE 6PIN		
		.00±.25		dwg no		
		.000±.15		sheet 3 of 3		
dr		Y-Y Bao	2022/03/10	size		
enr		Y-Y Bao	2022/03/10	A3		
chr		L-Q Lei	2022/03/10	10164359		
appd		Tim Yao	2022/03/10	type Product Customer Drawing		
sheet index		revision sheet				