

Welcome to American Hakko Products, Inc.



Welcome to American Hakko Products, Inc.

[Sign In](#)

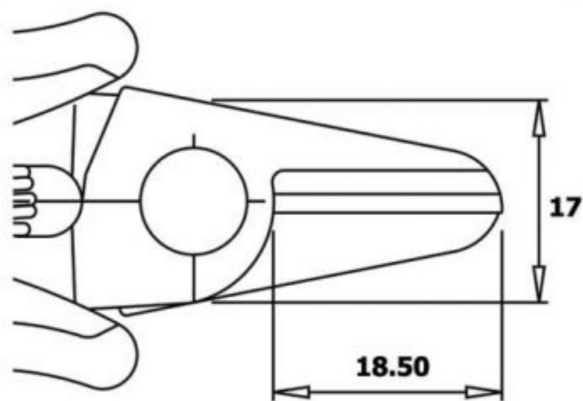
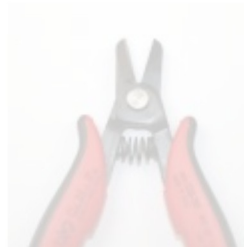
[Create an Account](#)



**1-800-88-HAKKO(42556)**

[SUPPORT@HAKKOUSA.COM](mailto:SUPPORT@HAKKOUSA.COM)

[Home](#) > CHP CS-30 Shears



**We use cookies to make your experience better.** To comply with the new e-Privacy directive, we need to ask for your consent to set the cookies. [Learn more.](#)

**ALLOW COOKIES**



Availability: **In stock** Part Number **CS-30**

## CHP CS-30 Shears

**List Price: \$16.87**

SHEAR,SCISSOR,16G

Easy to handle shears, designed for use in electronics but can also be used for most tasks.

1

**ADD TO CART**



### **FEATURES & BENEFITS**

#### **SHEARS**

Extremely easy-to-handle long shears, specially designed for use in electronics.

**Part Number: CS-30**

Max Cut: 16 AWG copper wire

Shear Length: 18.5 mm

### **SPECIFICATIONS**

### **FAQ**

**We use cookies to make your experience better.** To comply with the new e-Privacy directive, we need to ask for your consent to set the cookies. [Learn more.](#)

**ALLOW COOKIES**

